



T&S BRASS AND BRONZE WORKS, INC.

2 Saddleback Cove / P.O. Box 1088
Travelers Rest, SC 29690

Model No.

B-0650-03

Item No.

Travelers Rest, SC: 800-476-4103 • Simi Valley, CA: 800-423-0150 • Fax: 864-834-3518 • www.tsbrass.com



ADA Compliant

This Space for Architect/Engineer Approval

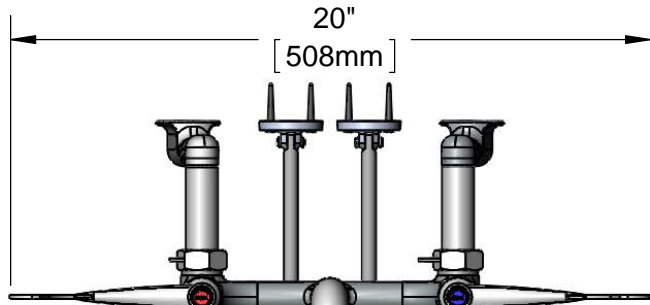
Job Name _____ Date _____

Model Specified _____ Quantity _____

Customer/Wholesaler _____

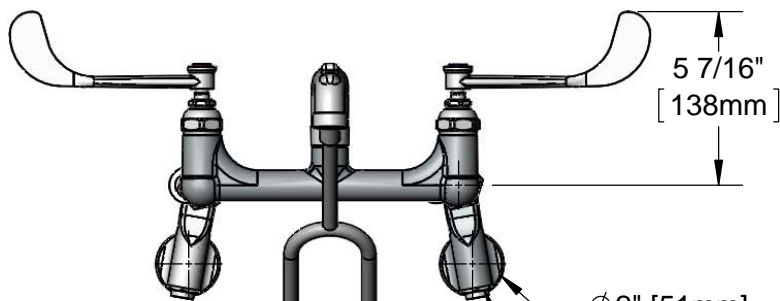
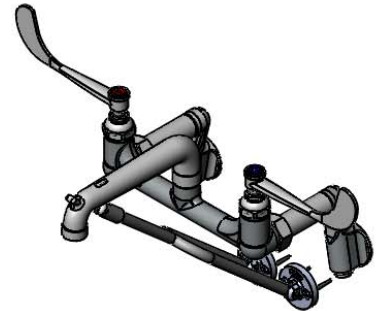
Contractor _____

Architect/Engineer _____



Quarter-Turn Eterna Cartridges w/ Spring Checks & 6" Wrist Action Handles w/ Color Coded Indexes

Plain End Spout



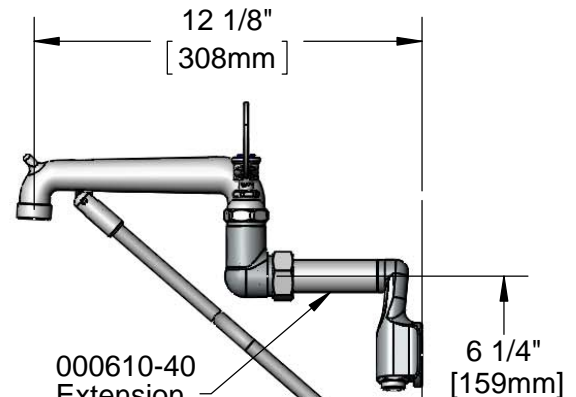
Ø2" [51mm] Flange

Adjustable Flange w/ 1/2" NPT Female Inlets & Screwdriver Stops

2 7/16" [62mm]

Inlets Adjustable from 3 1/4" [83mm] to 12 3/4" [324mm]

Below or Above Centerline



000610-40 Extension

Lower Wall Support Assembly Furnished w/ Wall Bracket & Mounting Screws

Mounting Surface

Product Specifications:

Adjustable Wall Mount, Service Sink Faucet, Quarter-Turn Eterna Cartridge with Spring Checks, Polished Chrome Finish, 6" Wrist Action Handles, Lower Support Rod, 1/2" NPT Extended Adjustable Inlets & Plain End Outlet

Product Compliance:

ASME A112.18.1 / CSA B125.1
NSF 61 - Section 9
NSF 372 (Low Lead Content)
ANSI A117.1 (ADA)



T&S BRASS AND BRONZE WORKS, INC.

2 Saddleback Cove / P.O. Box 1088
Travelers Rest, SC 29690

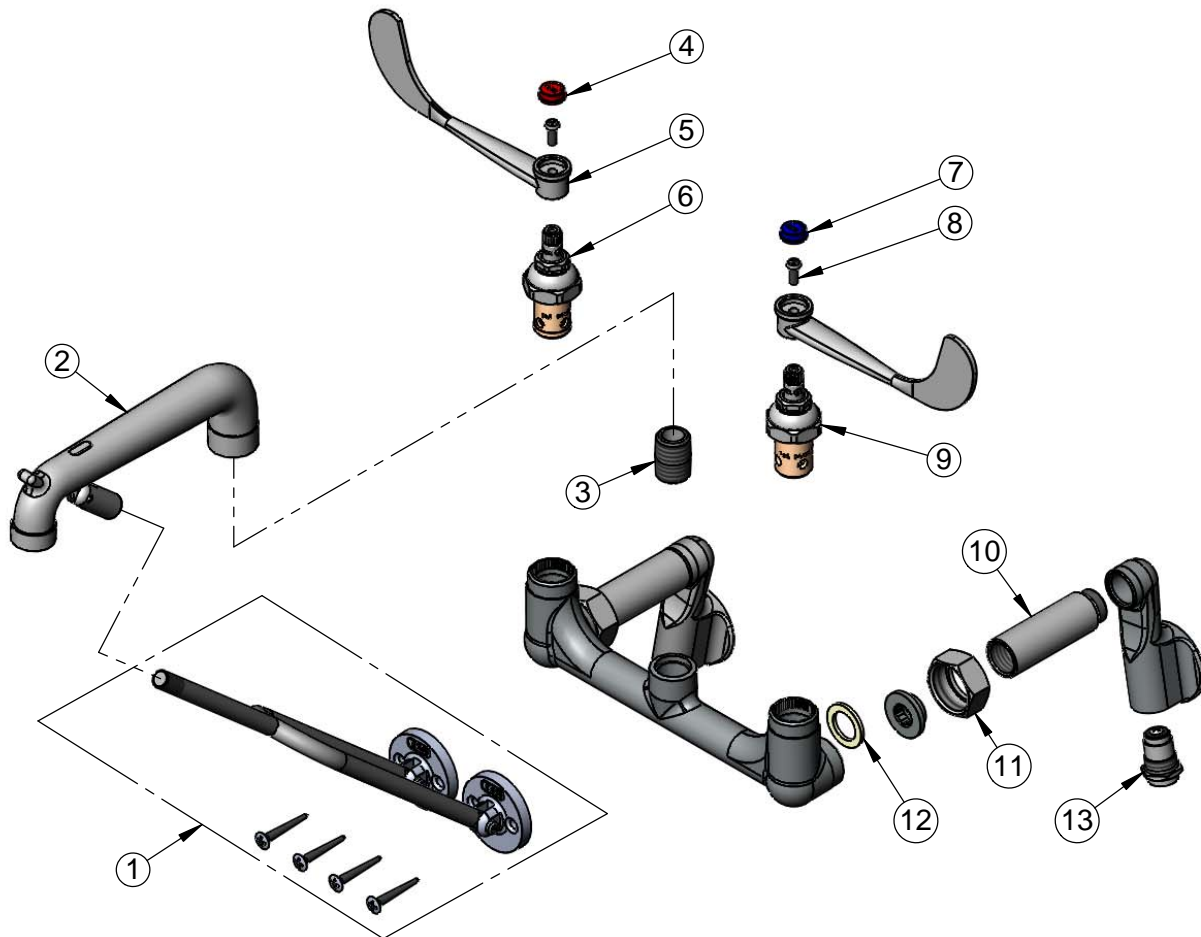
Model No.

B-0650-03

Item No.

Travelers Rest, SC: 800-476-4103 • Simi Valley, CA: 800-423-0150 • Fax: 864-834-3518 • www.tsbrass.com

ITEM NO.	SALES NO.	DESCRIPTION
1	014490-40	Lower Support Rod Assembly w/ Mounting Screws
2	016844-40	Spout, B-0650 Chrome Polished
3	002534-25	Close Nipple, 1/2" NPT
4	001194-45	Red Index - HW
5	B-WH6	6" Wrist Action Handle
6	012443-40	Quarter-Turn Eterna Cartridge, RTC w/ Spring Check
7	001686-45	Blue Index - CW
8	000925-45	Lab Handle Screw
9	012442-40	Eterna Cartridge, LTC w/ Spring Check
10	000610-25	Extension, 2 3/4" Long
11	000721-25	Flange Coupling Nut
12	001019-45	Coupling Nut Washer
13	163A	BST Assembly, 163A



Product Specifications:

Adjustable Wall Mount, Service Sink Faucet, Quarter-Turn Eterna Cartridge with Spring Checks, Polished Chrome Finish, 6" Wrist Action Handles, Lower Support Rod, 1/2" NPT Extended Adjustable Inlets & Plain End Outlet

Product Compliance:

ASME A112.18.1 / CSA B125.1
NSF 61 - Section 9
NSF 372 (Low Lead Content)
ANSI A117.1 (ADA)